

Exchange
for good

— MADE IN ITALY —



TAILOR MADE
HEAT EXCHANGERS
CIPRIANI

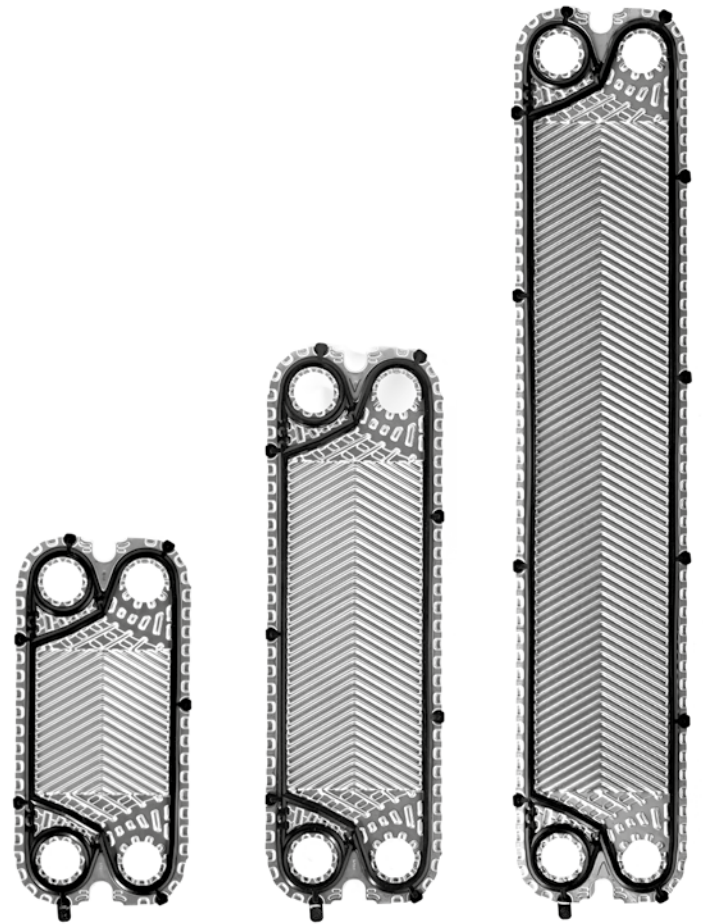
GAMMA PRODOTTI / PRODUCT RANGE DN 32+

Standard o Personalizzabili
Standard or Customized



Exchange
for good

TAILOR MADE
HEAT EXCHANGERS
CIPRIANI



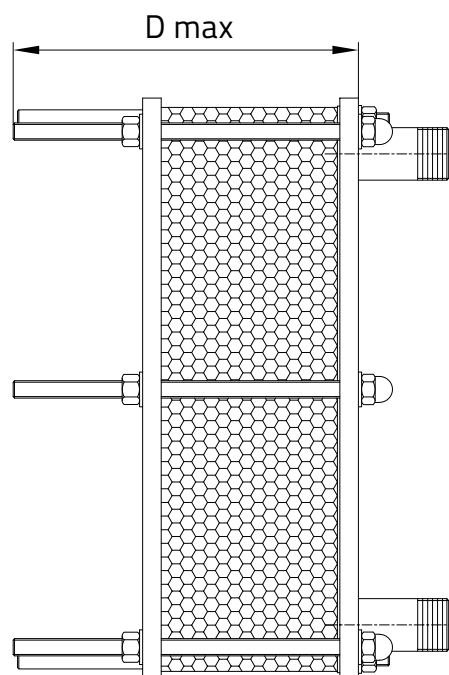
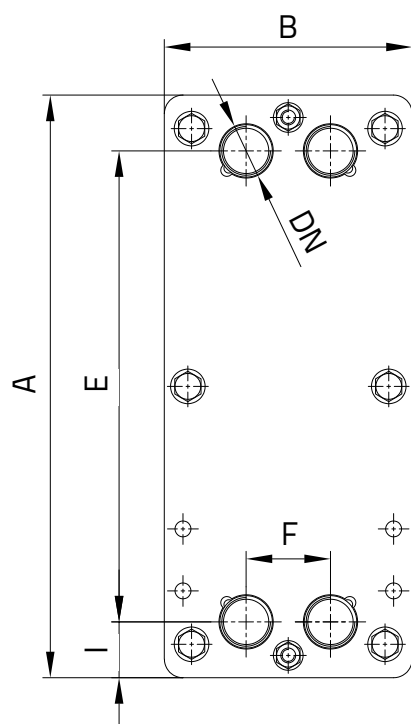
Gamma Prodotti	Product Range	P020+			P040+			P080+		
Area di scambio [m ²]	Exchange area [m ²]	0,021			0,041			0,081		
Larghezza [mm]	Width [mm]				145					
Altezza [mm]	Height [mm]	305			455			740		
Diametro connessioni	Connections diameter				DN32 1"1/4					
Capacità canale [l]	Channel capacity [l]	0,063			0,103			0,181		
Quota di serraggio [mm] *	Tightening quote [mm] *				2,9					
Peso piastra (con guarnizione) [Kg] *	Plate weight (with gasket) [Kg] *	0,18			0,274			0,452		
Angolo di corrugazione	Corrugation angle				A/B					
Portata max d'acqua [m ³ /h]	Max. water flowrate [m ³ /h]				19					
PS=> Pressione max di esercizio [bar]	PS=> Max working pressure [bar]	10	16	25	10	16	25	10	16	25

* standard AISI316L 0,5mm

DN32	DN50	DN65	DN80	DN100	DN150	DN200
-------------	-------------	-------------	-------------	--------------	--------------	--------------

Tutti i dati e disegni nel presente documento possono subire variazioni senza preavviso e non sono vincolanti per il produttore.
All data and drawings herewith described can be changed without prior notice and are not binding for the manufacturer.

DIMENSIONI TELAI / FRAMES DIMENSIONS



	S020+			S040+			S080+			
A	320			470			755			
B	200			200			200			
E	230			380			665			
F	68			68			68			
I	45			45			45			
Np max	29	49	75	29	49	75	29	49	75	101
D max	185	285	485	185	285	485	185	285	485	605
DN	DN32 1"1/4									

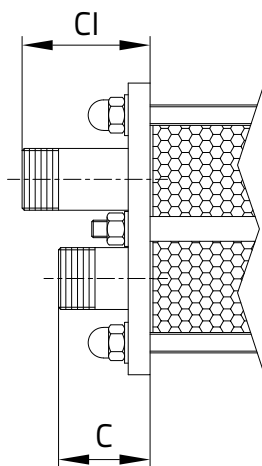
Ingombro delle connessioni (C - CI) - Connections dimensions (C - CI)

	S020+	S040+	S080+
J-J	63 - 88	63 - 88	63 - 88
M-M	73	73	73
J-M	59 - 73	59 - 73	59 - 73
R-R	63 - 88	63 - 88	63 - 88
J-R	88 - 63	88 - 63	88 - 63
Y-Y	63 - 118	63 - 118	63 - 118
X-X / K-K	180 - 176	180 - 176	180 - 176

Tutte le dimensioni sono in mm - Np = numero di piastre. All dimensions are in mm - Np = number of plates.

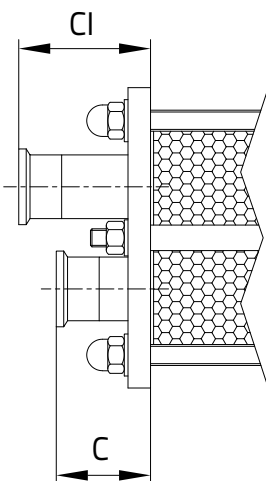
CONNESSIONI FILETTATE MASCHIO
GAS MALE THREADED CONNECTIONS

J/M



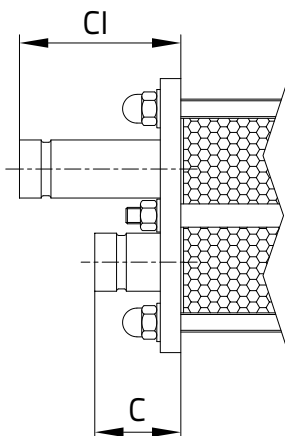
CONNESSIONI CLAMP ISO 2852
ISO 2852 CLAMP CONNECTIONS

R



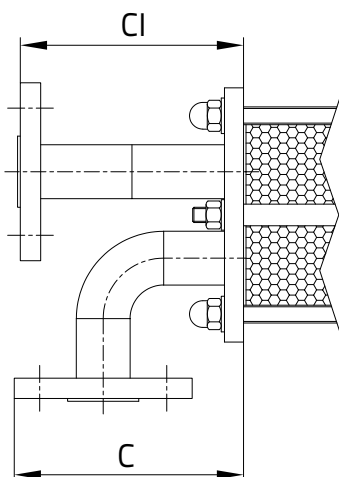
ATTACCHI MOBILI
AD ESTREMITÀ SCANALATA
GROOVED PIPE CONNECTIONS

Y

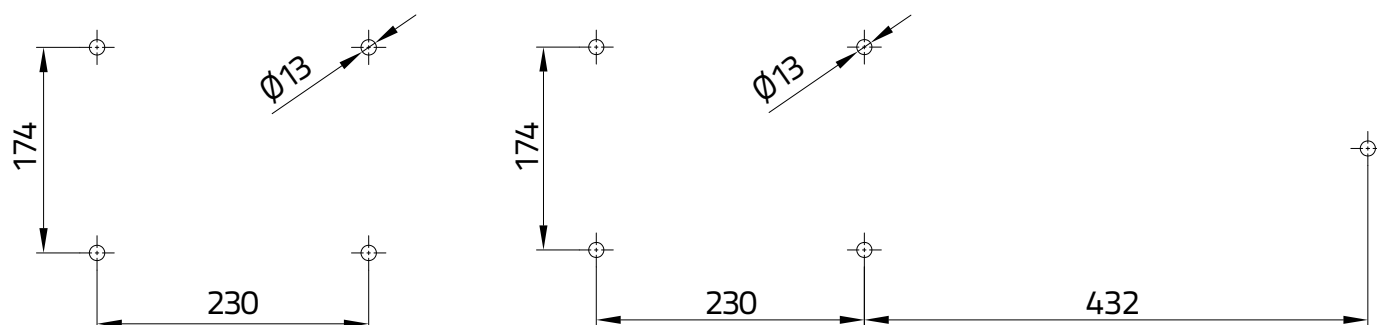


CONNESSIONI FLANGIATE ISO
ISO STUDDER PORTS

K/X



PIEDINI / FEET



* Step 101p S080+. * Step 101p S080+.

MATERIALI / MATERIALS

		S020+	S040+	S080+
Piastr Plates	AISI 304	●	●	●
	AISI 316L	●	●	●
	254 SMO	●	●	●
	Titanio / Titanium	●	●	●
Guarnizioni Gaskets	NBR	●	●	●
	EPDM Prx.	●	●	●
	FPM	●	●	●
	HNBR	●	●	●
Telai Frames **	Acciaio Carbonio / Carbon steel	●	●	●
	Acciaio inox / Stainless steel	●	●	●
Attacchi Connections **	J (AISI316)	●	●	●
	M (PP)	●	●	●
	R (Clamp)	●	●	●
	Y (Victaulic)	●	●	●
	X (AISI304)	●	●	●
	K (Carbon steel)	●	●	●

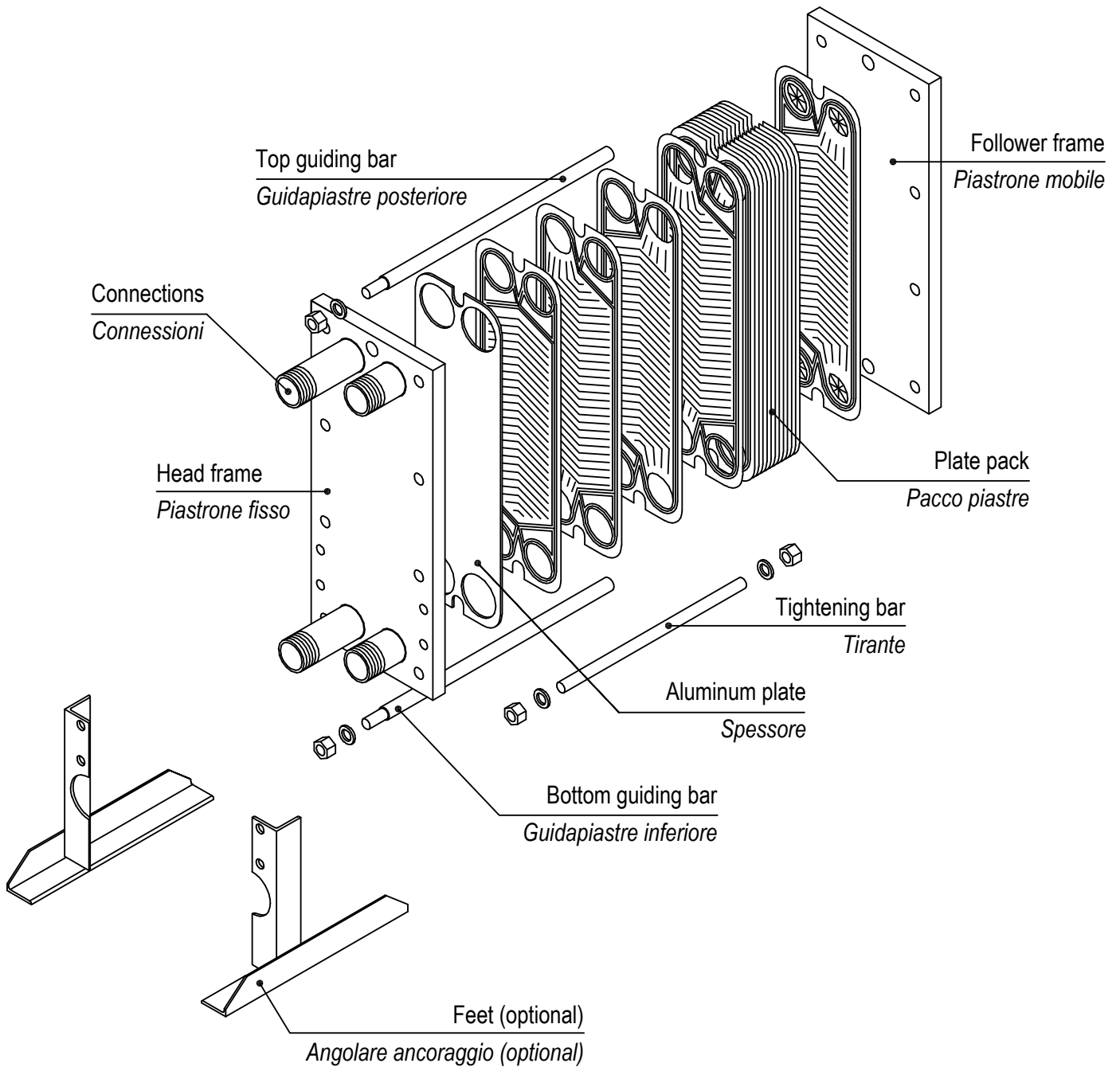
Materiali guarnizioni e temperature massime Gaskets material maximum temperatures

NBR	-20 °C	110 °C
EPDM Prx.	-20 °C	160 °C
FPM	-20 °C	200 °C
HNBR	-20 °C	160 °C

* Le temperature devono essere considerate non applicabili in tutte le condizioni di lavoro.

The temperatures must be considered not applicable in all working conditions.

** Per configurazioni non standard contattateci. *For non-standard configurations please contact us.*



CERTIFICATIONS APPROVALS



▪ ACS
Attestation de Conformité Sanitaire

▪ OHSAS 18001
Occupational Health and Safety

▪ ISO EN 9001:2015
European Quality Certificates

▪ PED 2014/68/UE
Pressure Equipment Directive
Module B,D1 & D (up to Risk Cat. IV)



▪ WRAS
EPDMprx gasket compound approved



▪ ISO 14001
Environmental Management



Exchange
for good

Via Nassar, 46 - 37026 Pescantina (VR)
Tel. +39 045 6750065 • Fax +39 045 6750118
info@cipriani-phe.com
cipriani-phe.com