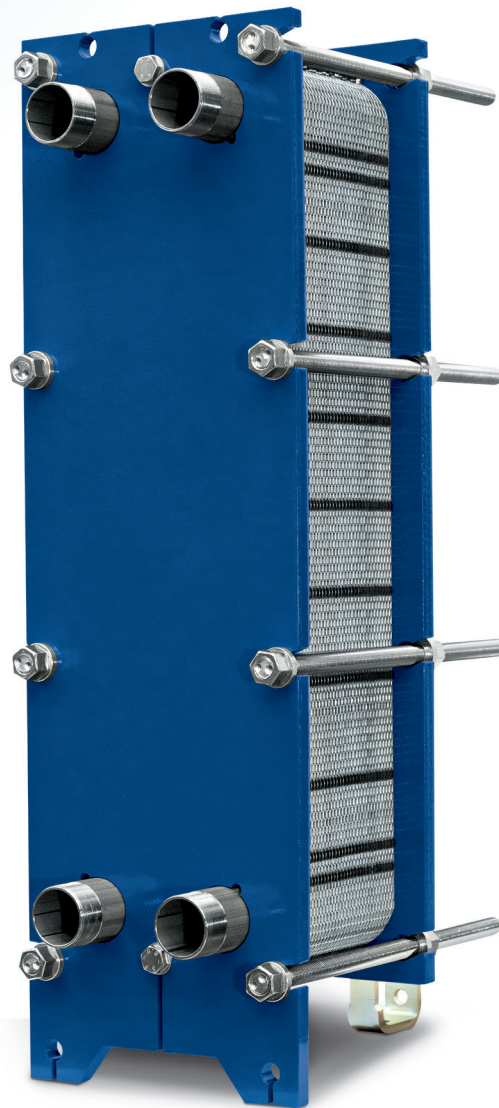


Exchange
for good

— MADE IN ITALY —



TAILOR  **MADE**
HEAT EXCHANGERS
CIPRIANI

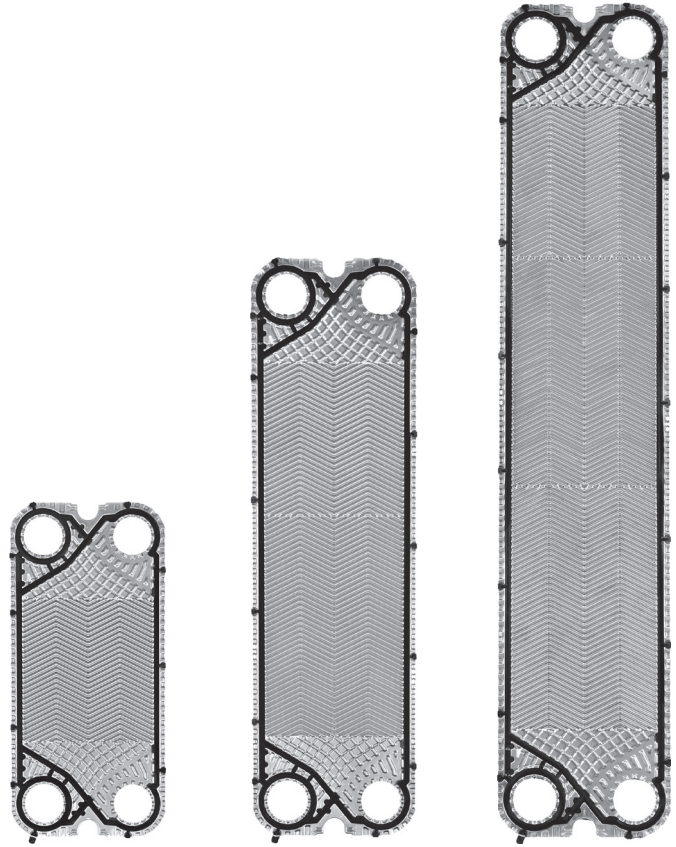
GAMMA PRODOTTI / PRODUCT RANGE DN 50+

Standard o Personalizzabili
Standard or Customized



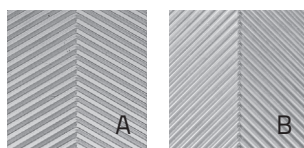
Exchange
for good

TAILOR MADE
HEAT EXCHANGERS
CIPRIANI



Gamma Prodotti	Product Range	P070+			P160+			P260+		
Area di scambio [m ²]	Exchange area [m ²]	0,078			0,164			0,254		
Larghezza [mm]	Width [mm]				245					
Altezza [mm]	Height [mm]	527			857			1202		
Diametro connessioni	Connections diameter				DN50 2"					
Capacità canale [l]	Channel capacity [l]	0,217			0,383			0,555		
Quota di serraggio [mm] *	Tightening quote [mm] *				2,9					
Peso piastra (con guarnizione) [Kg] *	Plate weight (with gasket) [Kg] *	0,517			0,856			1,213		
Angolo di corrugazione	Corrugation angle				A/B					
Portata max d'acqua [m ³ /h]	Max. water flowrate [m ³ /h]				63					
PS=> Pressione max di esercizio [bar]	PS=> Max working pressure [bar]	10	16	25	10	16	25	10	16	25

* standard AISI316L 0,5mm



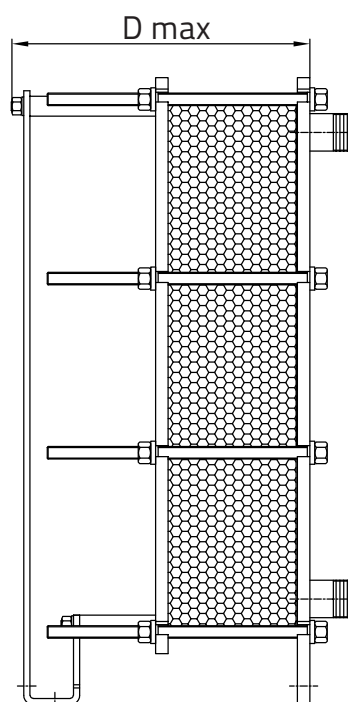
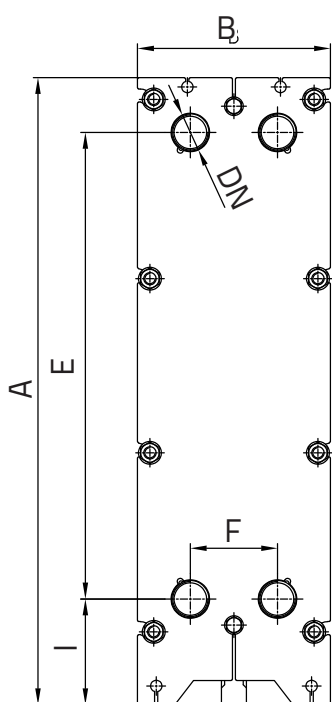
Piastre disponibili in due lunghezze termiche (A/B)

Plates are available in two thermal lengths (A/B)

DN32	DN50	DN65	DN80	DN100	DN150	DN200
------	------	------	------	-------	-------	-------

Tutti i dati e disegni nel presente documento possono subire variazioni senza preavviso e non sono vincolanti per il produttore.
All data and drawings herewith described can be changed without prior notice and are not binding for the manufacturer.

DIMENSIONI TELAI / FRAMES DIMENSIONS



	S070+				S160+				S260+			
A	678				1008				1353			
B	310				310				310			
E	420				750				1095			
F	140				140				140			
I	170				170				170			
Np max	41	71	101	151	41	71	101	151	41	71	101	151
D max	330	470	610	840	330	470	610	840	330	470	610	840
DN	DN50 2"											

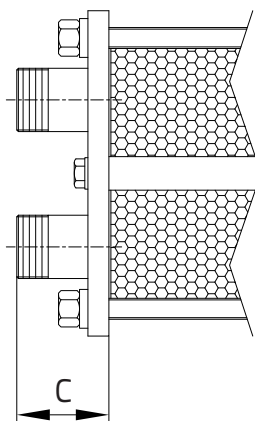
Ingombro delle connessioni (C) - Connections dimensions (C)

J-J	88	88	88
M-M	84	84	84
J-M	84	84	84
R-R	88	88	88
J-R	88	88	88
Y-Y	88	88	88

Tutte le dimensioni sono in mm - Np = numero di piastre.
 All dimensions are in mm - Np = number of plates.

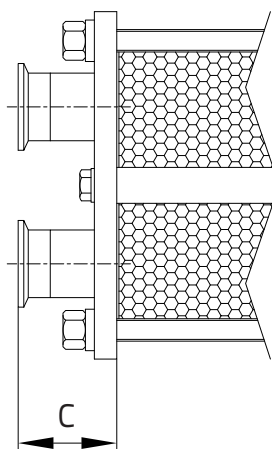
CONNESSIONI FILETTATE MASCHIO
GAS MALE THREADED CONNECTIONS

J/M



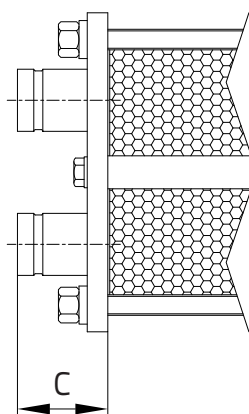
CONNESSIONI CLAMP ISO 2852
ISO 2852 CLAMP CONNECTIONS

R

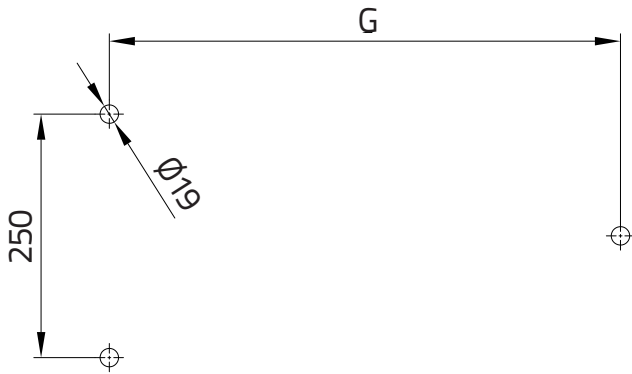


ATTACCHI MOBILI
AD ESTREMITÀ SCANALATA
GROOVED PIPE CONNECTIONS

Y



PIEDINI / FEET



G	PS 10	PS 16	PS 25
S070+ / S160+ / S260+			
Max 41p	380	385	390
Max 71p	520	525	530
Max 101p	660	665	670
Max 151p	890	895	900
Max 251p*	1295	1295	1300

* Step 251p NON disponibile per S070+.

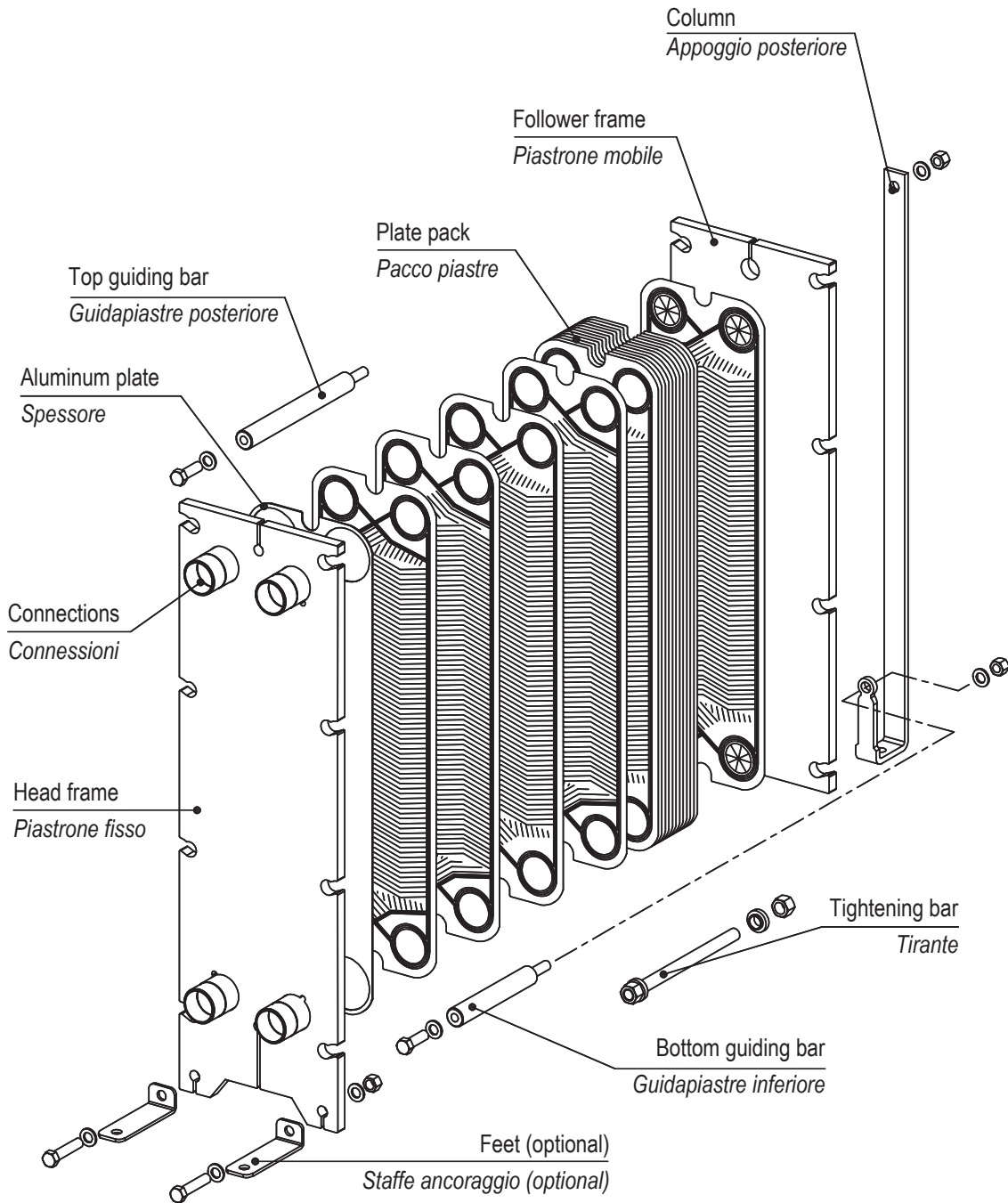
* Step 251p NOT available for S070+.

Tutte le dimensioni sono in mm. All dimensions are in mm.

MATERIALI / MATERIALS

		S070+	S160+	S260+
Piastre Plates	AISI 304	●	●	●
	AISI 316L	●	●	●
	254 SMO	●	●	●
	Titanio / Titanium	●	●	●
Guarnizioni Gaskets	NBR	●	●	●
	EPDM Prx.	●	●	●
	FPM	●	●	●
	HNBR	●	●	●
Telai Frames **	Acciaio Carbonio / Carbon steel	●	●	●
	Acciaio inox / Stainless steel	●	●	●
Attacchi Connections **	J (AISI316)	●	●	●
	M (PP)	●	●	●
	R (Clamp)	●	●	●
	Y (Victaulic)	●	●	●
	A / C (Rubber lined)			
	B / E (AISI316L lined)			
	U / V (Unlined)			
Materiali guarnizioni e temperature massime Gaskets material maximum temperatures				
NBR	-20 °C	110 °C		
EPDM Prx.	-20 °C	160 °C		
FPM	-20 °C	200 °C		
HNBR	-20 °C	160 °C		

* Le temperature devono essere considerate non applicabili in tutte le condizioni di lavoro. The temperatures must be considered not applicable in all working conditions. ** Per configurazioni non standard contattateci. For non-standard configurations please contact us.



CERTIFICATIONS APPROVALS

ISO 9001
BUREAU VERITAS
Certification



ISO EN 9001:2015
European Quality Certificates



PED 2014/68/UE
Pressure Equipment Directive
Module B,D1 & D (up to Risk Cat. IV)



ACS
Attestation de Conformité Sanitaire



WRAS
EPDMprx gasket compound approved



ISO 45001
Occupational Health and Safety



ISO 14001
Environmental Management



Exchange
for good

Via Nassar, 46 - 37026 Pescantina (VR)
Tel. +39 045 6750065 • Fax +39 045 6750118
info@cipriani-phe.com

cipriani-phe.com